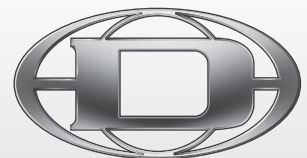




# Permanent Installation

LOUDSPEAKERS & ACCESSORIES


Mobile Audio | Concert Sound | Fixed Installation | Pro Entertainment




**DYNACORD**  
GERMAN ENGINEERING EXCELLENCE

# Contents

Contents	2
Preamble	3
<b>MEDIA CEILING HIGH-POWER CEILING LOUDSPEAKER SYSTEMS</b>	
MC 4.2 and MC 8.2	4
MC 10.1	5
MCW 4.2 and MCW 8.2	7
<b>LIGHT WEIGHT FULL-RANGE HIGH-POWER SYSTEM</b>	
D 12, D12 W, D 8 and D 8 W	8
D 12 R, D12 RW, D 12 T and D 12 TW	9
<b>HIGH-POWER CEILING LOUDSPEAKER SYSTEMS</b>	
HCS Series	10
DL 400	11










<b>WALL-MOUNTED LOUDSPEAKERS</b>	
WL 90, WL 90 R and WL 90 RP	13
<b>CEILING LOUDSPEAKERS WITH BAFFLE</b>	
DL 72, DL 70 W, PL 70 W	14
DL 84 and DL 86	15
DL 94 A, DL 94 C, DL 96 A and DL 96 C	16
DL 94 B and DL 96 B	17
DL 72/32 A	19
<b>SPHERICAL LOUDSPEAKER</b>	
KL 72+	20
<b>BAFFLE LOUDSPEAKER</b>	
SL 70	21



<b>SECTORAL FOLDED HORN</b>	
Cobreflex III	22
<b>HORN LOUDSPEAKERS</b>	
DL 800/10T, DL 800/15T, DL 800/25T and DL 800/30T	23
<b>SOUND PROJECTORS</b>	
SP 20 and SP 20 D	25
<b>VOLUME CONTROLS</b>	
L 414, L 414 SR, L 4100 and L 4100 SR	26
<b>LOUDSPEAKER ACCESSORIES</b>	
MB 212, MB 212 W, MB 312, MB 312 W, MB 200 UMH, TMA, RMA, TC-02	27

## SYMBOLS

-  AV Market
-  ProSound
-  ELA
-  UV Resistance
-  Weather Resistance
-  Shock-Proof
-  Made in Germany

## Preamble

**For over 60 years, DYNACORD has been among the most innovative and important manufacturers in the professional audio business worldwide, covering the entire spectrum of professional audio equipment with solutions of the highest quality. Our loudspeakers are “Made in Germany” and stand for first class performance, absolute reliability and flexibility.**

DYNACORD offers an extensive and diversified product portfolio of fixed installation loudspeakers for a wide range of requirements and market segments.

These include PA, media equipment and Pro Sound. The most modern DYNACORD installations employ Pro Sound PA systems not only for entertainment and announcements but also for alarm and evacuation purposes.

### APPLICATIONS

DYNACORD sound reinforcement systems can be easily used in a large variety of locations including hotels, airports, cruise liners, industrial installations, hospitals, shopping malls, sports stadiums, multi-function halls, restaurants and schools – just to name a few.

### OUR SUPPORT

DYNACORD supplies not only high-quality products but also custom-fit project solutions, the requisite know-how, competent support and a capable and efficient sales team.

In particular in the field of fixed installations, numerous engineers and acoustics specialists as well as the technical sales team work closely with planning bureaus all over the world in order to find in each case the best system solution

for the customer – and without compromises. The satisfaction of our customers is the top priority at DYNACORD.

### OUR ADDED VALUE

- Uncompromising performance
- Proven first-class quality
- Outstanding sales, support and service structure
- Comprehensive network of trained, authorized dealers
- Numerous engineers and acoustics experts for first-class planning and project development
- Compliance with all environmental norms (e.g. RoHS)
- Safety certification for different countries
- ISO-9001 certification
- Product attributes (ball-impact-proof, weatherproof etc.)
- Made in Germany

# MC Series

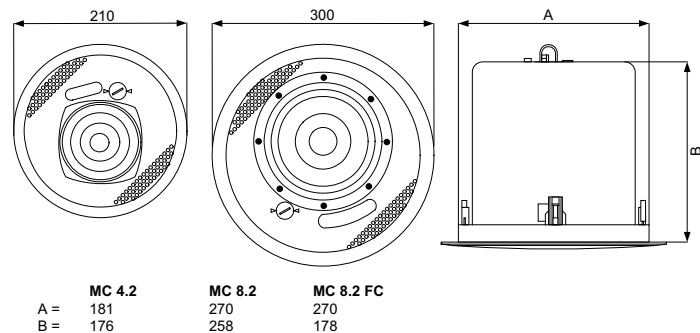
## HIGH-POWER CEILING LOUDSPEAKER SYSTEMS

■ The models MC 4.2, MC 8.2 and MC 8.2 FC are two-way ceiling loudspeaker systems consisting of a metal front panel, a grille, a fire dome, a 4"- (MC 4.2) or 8" (MC 8.2 / MC 8.2 FC) coaxial two-way loudspeaker with a waveguide-coupled titanium HF horn, crossover at 3.3 kHz (MC 4.2) or else 2.5 kHz (MC 8.2 / MC 8.2 FC) and circuitry to protect against overload.

With the integrated transformer, the following modes are possible: 30 / 15 / 7.5 / 3.75 W at 100 V, 30 / 15 / 7.5 / 3.75 / 1.88 W at 70 V or bypass mode at 8 Ω. The choice is made by means of a selector switch provided for the purpose on the front.

The perforated grille is finished in white powder-coated lacquer. The fire dome is made from galvanized steel and has the ideal volume for outstanding low frequency reproduction. A metal tile bridge is included for safe mounting. A wide coverage pattern, a high degree of efficiency, problem-free installation and outstanding reproduction of music and the spoken word characterize these loudspeakers.

MC 4.2, MC 8.2 and MC 8.2FC



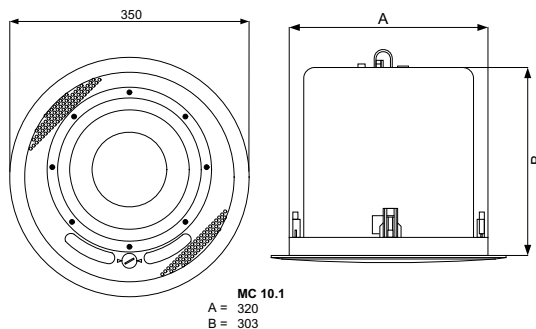
General	MC 4.2	MC 8.2 / MC 8.2 FC
Nominal impedance	8 Ω / 100 V / 70 V	8 Ω / 100 V / 70 V
Continuous power handling	80 W	100 W
Power Tapping	100 V: 30 / 15 / 7.5 / 3.75 W	100 V: 30 / 15 / 7.5 / 3.75 W
	70 V: 30 / 15 / 7.5 / 3.75 / 1.88 W	70 V: 30 / 15 / 7.5 / 3.75 / 1.88 W
Frequency range	70...20000 Hz	55...20000 Hz
Sensitivity (1W/1m)	86 dB SPL	91 dB SPL
Max. SPL (Peak)	111 dB SPL	117 dB SPL
Dimensions (A x B)	Ø 210 x 176 mm	Ø 300 x 258 mm / 178 mm
Ceiling Cutout	Ø 184 mm	Ø 274 mm
Weight	2,7 kg	5 kg
Color	white (RAL 9010)	white (RAL 9010)

■ The MC 10.1 low frequency ceiling loudspeaker system is particularly well suited to the task of boosting and enhancing the low-frequency content of the signal of any other MC loudspeaker. It consists of a metal front panel, a grille, a fire dome, a 10" loudspeaker and crossover with an integrated band-pass filter to suit all the loudspeakers of the MC series.

With the integrated transformer, the following modes are possible: 60 / 30 / 15 W at 100 V, 60 / 30 / 15 / 7.5 W at 70 V or bypass mode at 8 Ω. The choice is made by means of a selector switch provided for the purpose on the front. The perforated grille is finished in white powder-coated lacquer.

The fire dome is made from galvanized steel and has exactly the right volume for outstanding low frequency reproduction. A metal tile bridge is included for safe mounting. This loudspeaker is characterized by a high degree of efficiency, uncomplicated installation and outstanding low frequency reproduction.

MC 10.1



General	MC 10.1
Nominal impedance	8 Ω / 100 V / 70 V
Continuous power handling	150 W
Power Tapping	100 V: 60 / 30 / 15 W
	70 V: 60 / 30 / 15 / 7.5 W
Frequency range	45...120 Hz
Sensitivity (1W/1m)	94 dB SPL
Max. SPL (Peak)	122 dB SPL
Dimensions (A x B)	Ø 350 x 303 mm
Ceiling Cutout	Ø 324 mm
Weight	7 kg
Color	white (RAL 9010)





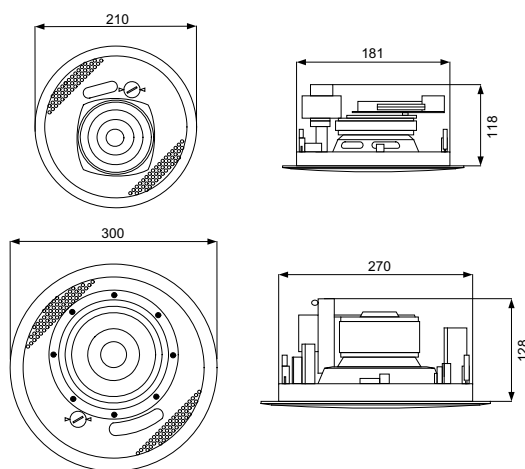
# MCW Series

## HIGH-POWER CEILING LOUDSPEAKER SYSTEMS

■ The models MCW 4.2 and MCW 8.2 are two-way ceiling loudspeaker systems consisting of a metal front panel, a grille, a 4" (MCW 4.2) or 8" (MCW 8.2) coaxial two-way loudspeaker with a waveguide-coupled titanium HF horn, a passive crossover at 3.3 kHz (MCW 4.2) or 2.5 kHz (MCW 8.2) and circuitry to protect against overload.

With the integrated transformer, the following modes are possible: 30 / 15 / 7.5 / 3.75 W at 100 V, 30 / 15 / 7.5 / 3.75 / 1.88 W at 70 V or bypass mode at 8 Ω. The choice is made by means of a selector switch provided for the purpose on the front. The perforated grille is finished in white powder-coated lacquer. A metal tile bridge is included for safe mounting. These loudspeakers are characterized by their wide coverage pattern, high degree of efficiency, uncomplicated installation and outstanding reproduction of music and the spoken word.

MCW 4.2 and MCW 8.2



General	MCW 4.2	MCW 8.2
Nominal impedance	8 Ω / 100 V / 70 V	8 Ω / 100 V / 70 V
Continuous power handling	80 W	100 W
Power Tapping	100 V: 30 / 15 / 7.5 / 3.75 W 70 V: 30 / 15 / 7.5 / 3.75 / 1.88 W	100 V: 30 / 15 / 7.5 / 3.75 W 70 V: 30 / 15 / 7.5 / 3.75 / 1.88 W
Frequency range	70...20000 Hz*	55...20000 Hz*
Sensitivity (1W/1m)	86 dB SPL	91 dB SPL
Max. SPL	111 dB SPL	117 dB SPL
Dimensions (A x B)	Ø 210 x 118 mm	Ø 300 x 128 mm
Ceiling Cutout	Ø 184 mm	Ø 274 mm
Weight	2,2 kg	4,2 kg
Color	white (RAL 9010)	white (RAL 9010)

\* dependent on installation





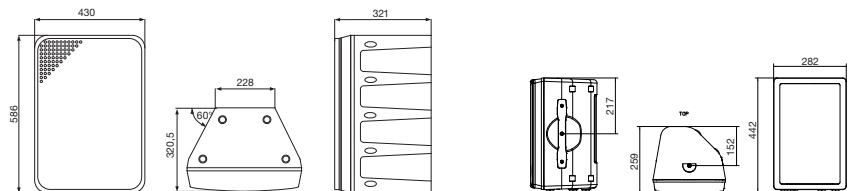
## D-Lite Series

### LIGHTWEIGHT FULL-RANGE HIGH-POWER SYSTEMS

■ The D-Lite series satisfies needs for an extremely light, mechanically robust, two-way loudspeaker for professional low-impedance and also high-impedance fixed installation applications.

All models are equipped with a 12" or 8" chassis for the bass and midrange as well as an HF horn integrated into the baffle with a coverage pattern of 80° x 40° (12" version) or 90° x 90° (8" version). The trapezoidal enclosure is made from low-resonance polypropylene. The front is covered by acoustic foam on a robust stainless steel grille. A wide range of mounting accessories makes for problem-free use even in critical areas of application. All loudspeakers are available in both black and white versions. Accessories are black with the most popular components also available in white. The low-impedance versions D 12 / D 12 W and D 8 / D 8 W are designed for use inside of buildings. They are protected against thermal overload by fully electronic voice-coil tracking as well as a halogen protective circuit.

D 12, D 12 W, D 8 and D 8 W

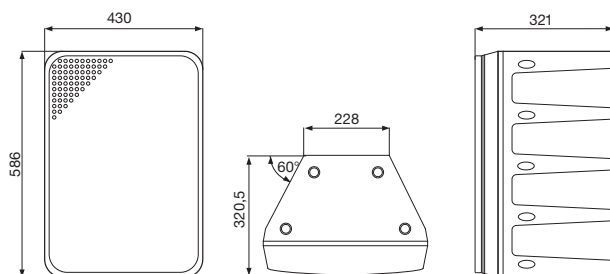


General	D 12 / D 12 W	D 8 / D 8 W
Nominal impedance	8 Ω	8 Ω
Continuous power handling	300 W	250 W
Power Tapping	70...18000 Hz	65...20000 Hz
Sensitivity (1W/1m)	98 dB SPL	94 dB SPL
Max. SPL (Peak)	129 dB SPL	124 dB SPL
Dimensions (B x H x T)	430 x 586 x 321 mm	282 x 442 x 259 mm
Weight	16 kg	8,8 kg
Color	black / white	black / white
Optional accessories	dust cover SH-D12	dust cover SH-D8
	U-bracket MB 212 / MB 212 W and MB 200 UMH	U-bracket MB D8 UMH
	horizontal cluster plate MB 312 / MB 312 W	wall mount kit WMK-10
	tilt angle TMA	tilt angle TMA
	rotatable plate RMA	rotatable plate RMA

■ The models D 12 R / D 12 RW and D 12 T / D 12 TW are the weather-proof versions in the D-Lite series. They are equipped with a water-proof chassis and a hard-wired cable to prevent infiltration by liquids or the damp.

The D 12 R is suitable for professional fixed installation in venues like swimming pools, ice rinks, hotel grounds, amusement parks, etc.) as well as for small to medium-sized events. With the same characteristics as its sister model, the D 12, power handling of 300 W, maximum SPL of 129 dB and a frequency range of 70 Hz – 18 kHz, the D 12 R represents an outstanding outdoor alternative whether as a full-range cabinet or as the MF/HF component in powered and unpowered satellite systems. The D 12 T is designed primarily for fixed installation in 100V audio networks for sound reinforcement. It is, however, also used in mobile applications, where the 100 V technology makes long cable runs to the amplifier possible using normal-diameter cable. For integration into a 100 V network, the D 12 T is equipped with an extremely low distortion toroidal transformer. The power level (300 W, 150 W, 75 W) within the 100V network is determined by the configuration of the connecting cable.

D 12 R, D 12 RW, D 12 T and D 12 TW



General	D 12 R / D 12 RW	D 12 T / D 12 TW
Nominal impedance	8 Ω	33 Ω / 100 V
Continuous power handling	300 W	300 W
Power Tapping		1 P, 1/2 P, 1/4 P
Frequency range	70...18000 Hz	70...18000 Hz
Sensitivity (1W/1m)	98 dB SPL	98 dB SPL
Max. SPL (Peak)	129 dB SPL	123 dB SPL
Connection	cable (2-pin) 3,5 m	cable (4-pin) 3,5 m
Dimensions (B x H x T)	430 x 586 x 321 mm	430 x 586 x 321 mm
Weight	16,2 kg	18,5 kg
Color	black / white	black / white
Optional accessories	dust cover SH-D12	dust cover SH-D12
	U-bracket MB 212 / MB 212 W and MB 200 UMH	U-bracket MB 212 / MB 212 W and MB 200 UMH
	horizontal cluster plate MB 312 / MB 312 W	horizontal cluster plate MB 312 / MB 312 W
	tilt angle TMA	tilt angle TMA
	rotatable plate RMA	rotatable plate RMA



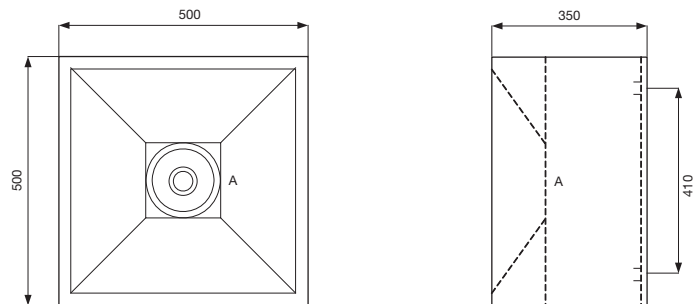
# HCS Series

## HIGH-POWER CEILING LOUDSPEAKER SYSTEMS

■ The HCS 8 / HCS 8 R and HCS 12 / HCS 12 R, all of which are coaxial two-way systems with integrated passive crossovers, are distinguished by their excellent sound characteristics.

The 8" / 12" duplex driver is loaded with a conical horn with a 90° x 90° coverage pattern. The enclosure is made from lacquered MDF wood and has been built in such a way as to allow the loudspeaker to be suspended by steel cables from the ceiling. On account of the evenness of their sound radiation, their high degree of efficiency and the sound pressure levels they are capable of delivering, they are particularly well-suited to use in acoustically difficult environments. The HCS 8 R and HCS 12 R are weatherproof alternatives – each boasting a waterproof chassis, Futura lacquer and a grille.

HCS 8 and HCS 12



A HCS 8 8"-Chassis HCS 12 12"-Chassis

HCS 8 R and HCS 12 R



General	HCS 8 / HCS 8 R	HCS 12 / HCS 12 R
<b>Nominal impedance</b>	333 Ω / 100 V	66,6 Ω / 100 V
<b>Continuous power handling</b>	30 W	150 W
<b>Power Tapping</b>	1 P, 1/2 P, 1/4 P	1 P, 1/2 P
<b>Frequency range</b>	85...18000 Hz	75...16000 Hz
<b>Sensitivity (1W/1m)</b>	95 dB SPL	99 dB SPL
<b>Max. SPL</b>	110 dB SPL	120 dB SPL
<b>Dimensions (B x H x T)</b>	500 x 500 x 350 mm	500 x 500 x 350 mm
<b>Weight</b>	19 kg	23 kg
<b>Color</b>	non-reflecting black	non-reflecting black
<b>Optional accessories</b>	4x eyebolts, grille on request (HCS 8)	4x eyebolts, grille on request (HCS 12)

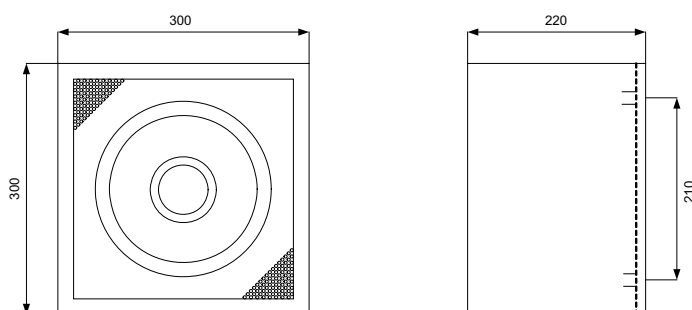
# DL 400

## HIGH-POWER CEILING LOUDSPEAKER SYSTEM

■ The DL 400 ceiling loudspeaker consists of a coaxial 8" two-way system with an integrated passive crossover. It is notable for its excellent sound characteristics. Unlike the HCS 8, this loudspeaker is not loaded with a conical horn but directly integrated into the front panel.

The enclosure consists of lacquered MDF wood with a front grille and has been built in such a way as to allow the loudspeaker to be suspended by steel cables from a ceiling. On account of the evenness of its sound radiation, its high degree of efficiency and the sound pressure levels it is capable of delivering, the DL 400 is particularly well-suited to use in environments with long reverberation times, ceilings of medium height and high levels of ambient noise.

DL 400



General	DL 400
Nominal impedance	333 Ω / 100 V
Continuous power handling	30 W
Power Tapping	1 P, 1/2 P, 1/4 P
Frequency range	85...18000 Hz
Sensitivity (1W/1m)	95 dB SPL
Max. SPL	110 dB SPL
Dimensions (B x H x T)	300 x 300 x 220 mm
Weight	7,5 kg
Color	non-reflecting black
Optional accessories	4x eyebolts





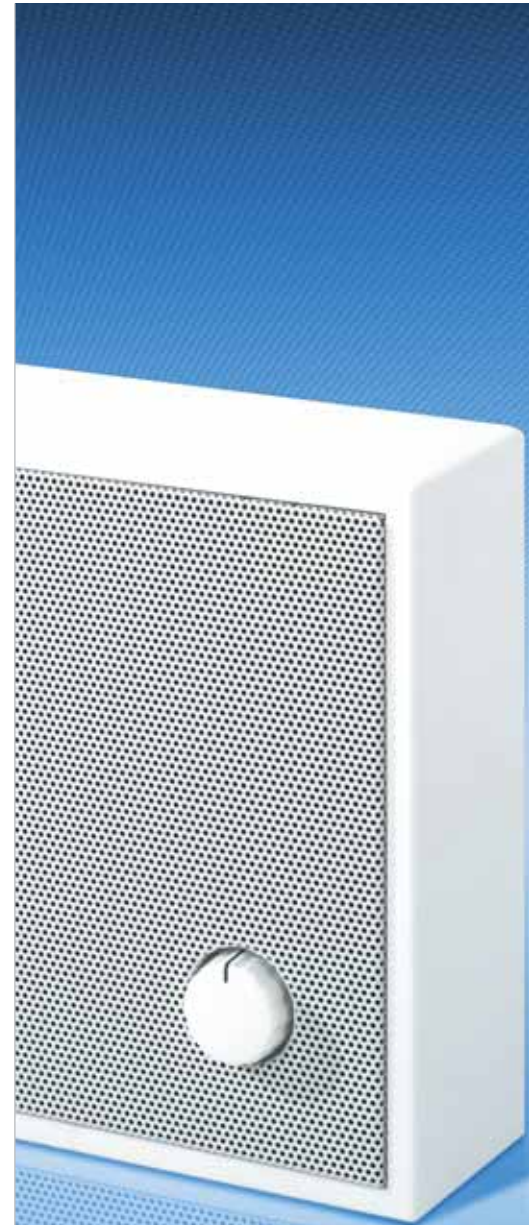
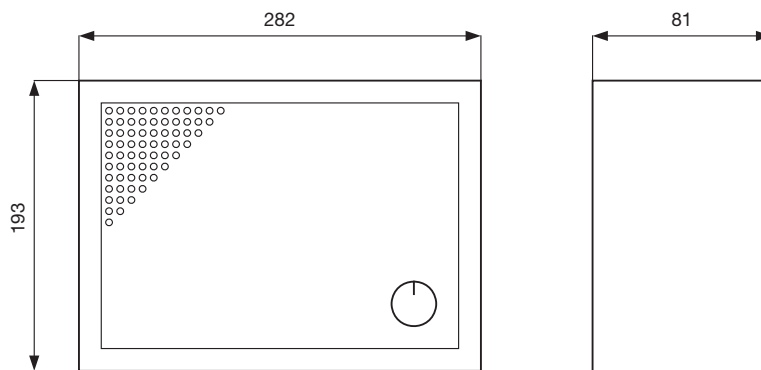
# WL Series

## WALL-MOUNTED LOUDSPEAKERS

■ The wall-mounted loudspeakers of the WL 90 series are equipped with a high-quality broadband chassis and are particularly well suited to the reproduction of music and speech in 100V loudspeaker systems.

Thanks to the presence of a 100V transformer, the device can be adjusted to full, half and quarter power. Two screws are used to mount the device. The WL 90 R is equipped with a low-impedance volume control, whilst in the case of the WL 90 RP the low-impedance volume control is bridged with the help of an emergency priority relay.

WL 90, WL 90 R and WL 90 RP



General	WL 90	WL 90 R / WL 90 RP
Nominal impedance	1667 Ω / 100 V	1667 Ω / 100 V
Continuous power handling	6 W	6 W
Power Tapping	1 P, 1/2 P, 1/4 P	1 P, 1/2 P, 1/4 P
Frequency range	80...15000 Hz	80...15000 Hz
Sensitivity (1W/1m)	90 dB SPL	90 dB SPL
Max. SPL	98 dB SPL	98 dB SPL
Dimensions (B x H x T)	282 x 193 x 81 mm	282 x 193 x 89 mm
Weight	1,3 kg	1,3 kg
Color	grille white (RAL 9010) plastic frame white	grille white (RAL 9010) plastic frame white

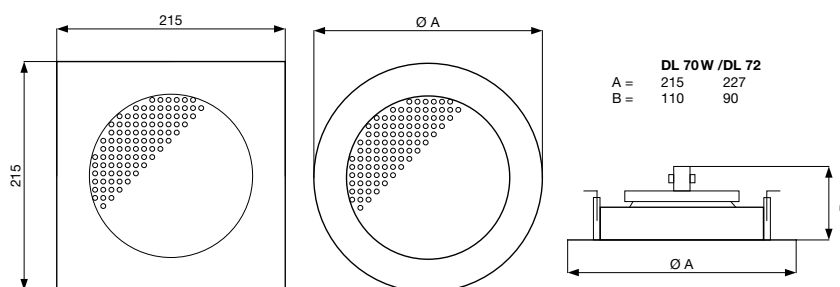
# DL-/PL Series

## CEILING LOUDSPEAKERS WITH A METAL OUTER RING

■ The DL 72 ceiling loudspeaker is equipped with a high-power broadband chassis with a dust guard as well as a 100 V transformer. The metal front panel is made from perforated steel fixed securely to a plastic outer ring. The device is ceiling-mounted using spring clips.

The DL 70 W and PL 70 W are ceiling loudspeakers equipped with a high-power broadband chassis with a dust guard and a 100V transformer. Both models possess a white metal front panel with a bayonet coupling. This is connected to a plastic outer ring in the DL 70 W or with a square plastic cover in the case of the PL 70 W as this model is especially designed for installation in panel ceilings. The loudspeakers are fixed using spring clamps.

PL 70 W and DL 72, DL 70 W



General	DL 70 W	DL 72	PL 70 W
<b>Nominal impedance</b>	1667 Ω / 100 V	1667 Ω / 100 V	1667 Ω / 100 V
<b>Continuous power handling</b>	6 W	6 W	6 W
<b>Power Tapping</b>	1 P, 1/2 P, 1/4 P	1 P, 1/2 P, 1/4 P	1 P, 1/2 P, 1/4 P
<b>Frequency range</b>	60...16000 Hz	60...16000 Hz	60...16000 Hz
<b>Sensitivity (1W/1m)</b>	90 dB	90 dB	90 dB
<b>Max. SPL</b>	98 dB	98 dB	98 dB
<b>Dimensions (A x B)</b>	Ø 215 x 110 mm	Ø 227 x 90 mm	215 x 215 x 110 mm
<b>Ceiling Cutout</b>	Ø 198 mm	Ø 198 mm	Ø 198 mm
<b>Weight</b>	1 kg	1,4 kg	1 kg
<b>Color</b>	grille white plastic ring white	grille white plastic ring white	grille white plastic ring white

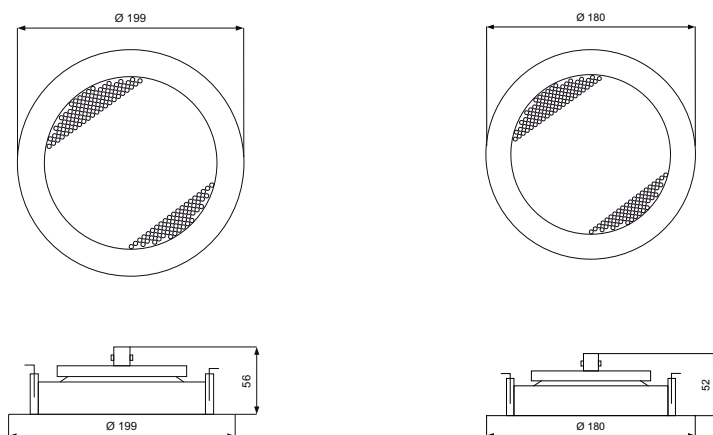
# DL Series

## HIGH-POWER CEILING LOUDSPEAKER SYSTEMS

■ The DL 84 and DL 86 ceiling loudspeakers are prominent for their extremely compact dimensions and very shallow installation depth. They are in one piece – the metal front panel is fixed securely with a metal outer ring.

Thanks to the innovative catch-spring quick installation system, the loudspeakers can be mounted in the ceiling in very little time. The DL 84 is equipped with a 4" broadband chassis and the DL 86 with a 5" broadband chassis, which despite their small size provide for excellent sound.

DL 84 and DL 86



General	DL 84	DL 86
Nominal impedance	1667 Ω / 100 V	1667 Ω / 100 V
Continuous power handling	6 W	6 W
Power Tapping	1 P, 1/2 P, 1/4 P (70 V)	1 P, 1/2 P, 1/4 P (70 V)
Frequency range	70...16000 Hz	70...16000 Hz
Sensitivity (1W/1m)	92 dB SPL	93 dB
Max. SPL	100 dB SPL	101 dB
Dimensions (A x B)	Ø 180 x 52 mm	Ø 199 x 56 mm
Ceiling Cutout	152 mm	175 mm
Weight	0,8 kg	0,85 kg
Color	white (RAL 9016)	white (RAL 9016)

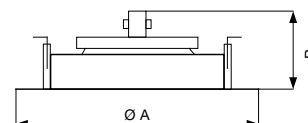
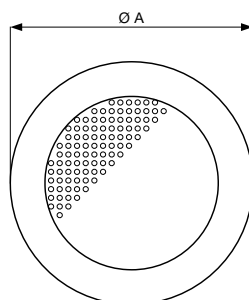
# DL Series

## HIGH-POWER CEILING LOUDSPEAKERS

■ Among high-quality broadband loudspeaker systems are the ceiling loudspeakers DL 94 A, DL 94 C, DL 96 A and DL 96 C featuring the “quick-mount” system.

All models of the DL 94 and DL 96 series are implemented as two-piece systems with both outer and inner rings. All the components, including the protective grille, are made entirely from metal and feature a quick-mount system with metal catch springs to fix them securely into the ceiling cut-out. In regards to the DL 94 A and DL 96 A, the electrical connection of the 100 V transformer for adapting to full, half and quarter power is accomplished by using a Weco quick connection terminal. If a higher degree of operational security is required in case of fire, the DL 94 C and DL 96 C with their integrated ceramic connector clamps and thermal fuses are recommendable. These models, too, can adapt to full, half or quarter power. For all models, fire domes are optionally available.

DL 94 A, DL 94 C, DL 96 A and DL 96 C



<b>DL 94 A / C</b>	<b>DL 96 A / C</b>
A = 192	215
B = 70	70

General	DL 94 A/C	DL 96 A/C
<b>Nominal impedance</b>	1667 Ω / 100 V	1667 Ω / 100 V
<b>Continuous power handling</b>	6 W	6 W
<b>Power Tapping</b>	1 P, 1/2 P, 1/4 P	1 P, 1/2 P, 1/4 P
<b>Frequency range</b>	100...17500 Hz	85...18500 Hz
<b>Sensitivity (1W/1m)</b>	89 dB SPL	92 dB SPL
<b>Max. SPL</b>	97 dB SPL	100 dB SPL
<b>Dimensions (A x B)</b>	Ø 192 x 70 mm	Ø 215 x 70 mm
<b>Ceiling Cutout</b>	Ø 177 mm	Ø 201 mm
<b>Weight</b>	0,91 kg	1,06 kg
<b>Color</b>	white (RAL 9016)	white (RAL 9016)
<b>Optional accessories</b>	fire dome	fire dome

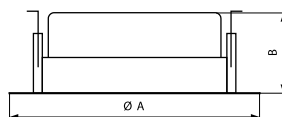
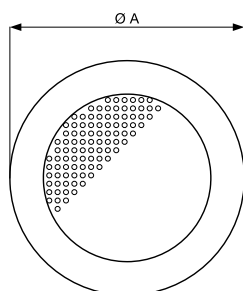
# DL Series

## CEILING LOUDSPEAKERS WITH METAL OUTER RINGS

■ The DL 94 B and DL 96 B ceiling loudspeakers are equipped with a 5" / 6.5" broadband chassis as well as 100 V transformers.

The loudspeakers are two-piece systems with inner and outer rings. The rings and protective grilles are made entirely of metal and feature a quick-mount bayonet attachment system with three retaining springs to hold them securely and permanently in place in the ceiling. The electrical connection of the 100 V transformer to adapt to 6 / 3 / 1.5 / 0.75 / 0.25W employs a ceramic clamp and thermal fuse and complies with British standard 5839, Part 8. The fire dome included in the delivery affords additional protection.

DL 94 B and DL 96 B



	DL 94 B	DL 96 B
A =	192	215
B =	90	101

General	DL 94 B	DL 96 B
Nominal impedance	1667 Ω / 100 V	1667 Ω / 100 V
Continuous power handling	6 W	6 W
Power Tapping	1 P, 1/2 P, 1/4 P	1 P, 1/2 P, 1/4 P
Frequency range	100...17500 Hz	85...18500 Hz
Sensitivity (1W/1m)	89 dB SPL	92 dB SPL
Max. SPL	97 dB SPL	100 dB SPL
Dimensions (A x B)	Ø 192 x 90 mm	Ø 215 x 101 mm
Ceiling Cutout	Ø 177 mm	Ø 201 mm
Weight	1,11 kg	1,31 kg
Color	white (RAL 9016)	white (RAL 9016)





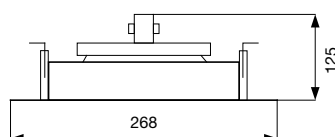
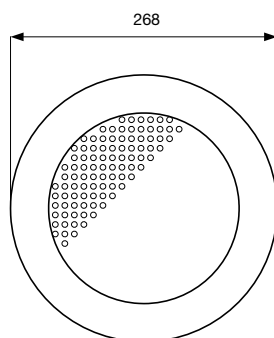
# DL Series

## LOUDSPEAKERS FOR CEILING INSTALLATION WITH METAL OUTER RINGS

■ The DL 72 / 32 A is an extremely high-quality two-way ceiling loudspeaker with integrated crossover and 100 V transformer.

A bayonet connection secures the metal front panel and the loudspeaker to the metal outer ring. The loudspeaker is recessed into the ceiling with the help of a spring mechanism.

DL 72/32 A



General	DL 72 / 32 A
Nominal impedance	333 Ω / 100 V
Continuous power handling	30 W
Power Tapping	1 P, 1/2 P, 1/4 P
Frequency range	70...18000 Hz
Sensitivity (1W/1m)	95 dB SPL
Max. SPL	110 dB SPL
Dimensions (A x B)	Ø 268 x 125 mm
Ceiling Cutout	Ø 238 mm
Weight	2,5 kg
Color	white (RAL 9010)



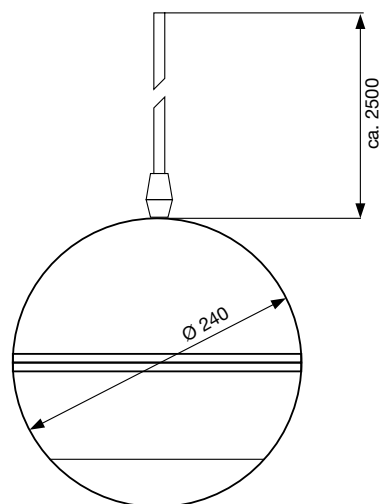
# KL 72+

## SPHERICAL LOUDSPEAKER

■ The KL 72+ spherical loudspeaker is equipped with a broadband chassis and a 100 V transformer.

The enclosure is made from white plastic with a white lacquered perforated steel cover. The loudspeaker is hung from the ceiling by a strain-relief attached to the cable. A canopy designed to conceal the suspension is included in the delivery.

KL 72+



General	KL 72+
Nominal impedance	833 $\Omega$ / 100 V
Continuous power handling	12 W
Power Tapping	1 P, 1/2 P, 1/4 P
Frequency range	100...12000 Hz
Sensitivity (1W/1m)	91 dB SPL
Max. SPL	102 dB SPL
Dimensions	Ø 240 mm
Weight	2,2 kg
Color	white (RAL 9016)

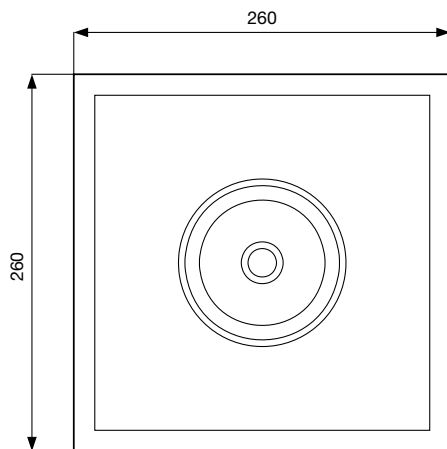
# SL 70

## BAFFLE LOUDSPEAKER

■ The SL 70 is a baffle loudspeaker for placement on hung ceilings. It consists of a black wooden mounting board with a broadband chassis and 100V transformer.

A dust guard and foam rubber strips to damp solid-borne sound are integrated.

SL 70



General	SL 70
Nominal impedance	1667 $\Omega$ / 100 V
Continuous power handling	6 W
Power Tapping	1 P, 1/2 P, 1/4 P
Frequency range	60...16000 Hz
Sensitivity (1W/1m)	90 dB SPL
Max. SPL	98 dB SPL
Dimensions (B x H x T)	260 x 260 x 120 mm
Weight	1,2 kg
Color	black

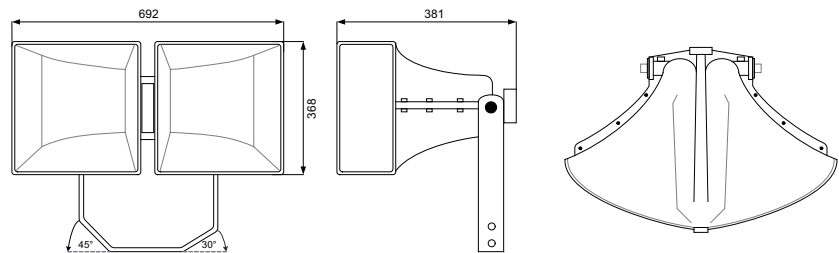
# Cobreflex III

## SECTORAL FOLDED HORN

■ The Cobreflex III sectoral folding horn is a double horn with a wide coverage pattern for high-quality speech reproduction.

By combining two folded horns, great compactness, a high degree of efficiency and a controlled coverage pattern at high frequencies is achieved. For this reason, the Cobreflex III is particularly suitable for use in announcement and voice-alarm systems. The U-shaped bracket included in the delivery offers great flexibility when wall- or ceiling-mounting the loudspeaker as well as the possibility of aiming it with great accuracy. The horn is equipped with a 1 3/8" threaded connector for the CBF 360 driver.

Cobreflex III



General	Cobreflex III
Beam width	100° H x 60° V
Directivity factor	15,9 / 2 kHz
Lower usable limit	250 Hz
Dimensions (B x H x T)	692 x 368 x 381 mm
Weight	3,2 kg
Color	gray
Optional accessories	CBF 360, driver

General	CBF 360
Nominal impedance	166 Ω / 100 V
Continuous power handling	60 W
Frequency range (± 5 dB)	500...4000 Hz
Sensitivity (1W/1m)	107 dB SPL
Max. SPL	125 dB SPL
Dimensions (A x B)	Ø 142 x 163 mm
Weight	2,7 kg

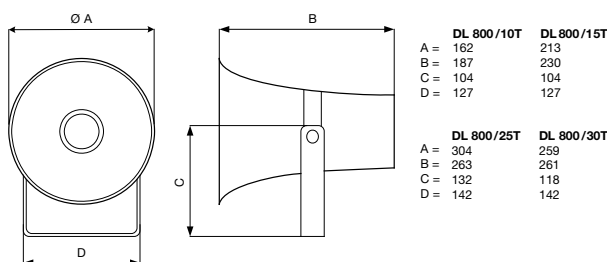
# DL 800 Series

## LOUDSPEAKERS WITH COMPRESSION DRIVERS

■ These models are weatherproof loudspeakers with compression drivers and integrated 100V transformers that are particularly suitable for use in harsh and noisy environments.

The high sound pressure levels provide for high intelligibility. The power adjustment is done with a selector switch with a screwdriver slit. The loudspeakers are equipped as standard with a quick-fastening clamp without screws and a rustproof swiveling mounting bracket. The enclosure is made from aluminum.

DL 800/10T, DL 800/15T, DL 800/25T, DL 800/30T



General	DL 800/10T	DL 800/15T
Nominal impedance	1000 Ω / 100 V	670 Ω / 100 V
Continuous power handling	10 W	15 W
Power Tapping	10 / 5 / 3 / 1 W	15 / 10 / 5 / 3 / 1 W
Frequency range	400...8000 Hz	350...8000 Hz
Sensitivity (1W/1m)	105 dB SPL	108 dB SPL
Max. SPL	115 dB SPL	120 dB SPL
Dimensions (A x B)	Ø 162 x 187 mm	Ø 213 x 230 mm
Weight	1,4 kg	1,8 kg
Color	gray (RAL 7035)	gray (RAL 7035)

General	DL 800/25T	DL 800/30T
Nominal impedance	400 Ω / 100 V	330 Ω / 100 V
Continuous power handling	25 W	30 W
Power Tapping	25 / 20 / 15 / 10 W	30 / 15 / 10 / 5 / 3 / 1 W
Frequency range	300...8000 Hz	300...8000 Hz
Sensitivity (1W/1m)	109 dB SPL	109 dB SPL
Max. SPL	123 dB SPL	124 dB SPL
Dimensions (A x B)	Ø 304 x 263 mm	Ø 259 x 261 mm
Weight	2,6 kg	2,2 kg
Color	gray (RAL 7035)	gray (RAL 7035)





# SP Series

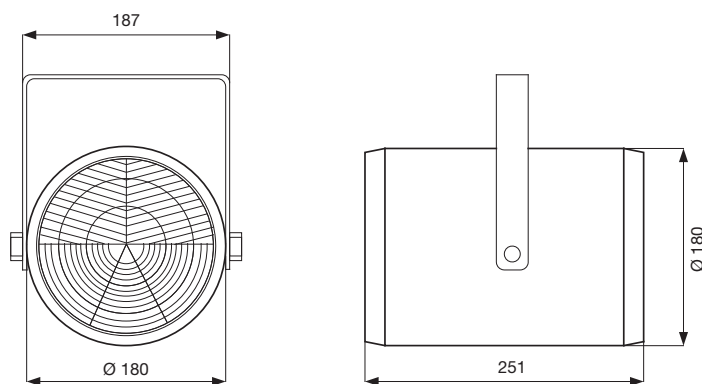
## SOUND PROJECTORS

■ The SP 20 and SP 20 D are weatherproof sound projectors in plastic housings with a mounting bracket that makes horizontal rotation possible.

They are equipped with one (SP 20) or else two (SP 20 D) broadband chassis and 100V transformers to adapt to full, half and quarter power.

A white foam cover can be retrofitted as an option.

SP 20 and SP 20 D



General	SP 20	SP 20 D
Nominal impedance	500 Ω / 100 V	500 Ω / 100 V
Continuous power handling	20 W	20 W
Power Tapping	1 P, 1/2 P, 1/4 P	1 P, 1/2 P, 1/4 P
Frequency range	120...20000 Hz	120...20000 Hz
Sensitivity (1W/1m)	94 dB SPL	94 dB SPL
Max. SPL	107 dB SPL	107 dB SPL
Dimensions (A x B)	Ø 180 x 251 mm	Ø 180 x 251 mm
Weight	2,5 kg	2,9 kg
Color	white	white
Optional accessories	foam cover on request	foam cover on request

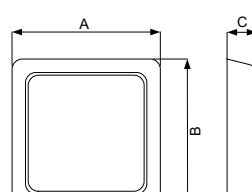
# L Series

## VOLUME CONTROLS

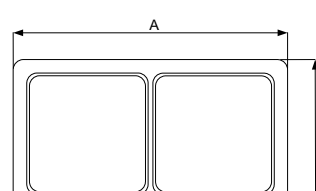
■ The L 414 and L 4100 are 11-level volume controls with the “0” position indicated that can be integrated into standard switch boxes by the customer. The connection is made via an integrated screw terminal strip. An emergency priority relay is available as an option.

The L 414 SR and L 4100 SR volume controls are equipped with a 5-position program selector switch and an integrated emergency priority relay. The L series volume controls are ready to be retro-fitted to the CD 500 / CD plus switch / wall socket design range manufactured by JUNG.

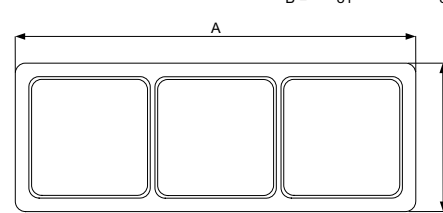
L 414, L 414 SR, L 4100, L 4100 SR



	CD 500	CD 500 Aufputz	CD plus
A =	81	85	84
B =	81	85	84
C =	10	46.8	9



	CD 500	CD 500 Aufputz	CD plus
A =	152	156	155
B =	81	85	84



	CD 500	CD 500 Aufputz	CD plus
A =	223	227	226
B =	81	85	84

General	L 414 / L 414 SR	L 4100 / L 4100 SR
Nominal impedance	6 W / 100 V	100 W / 100 V
Dimensions (B x H)	81 x 81 mm (L 414) 81 x 152 mm (L 414 SR)	81 x 152 mm (L 4100) 81 x 223 mm (L 4100 SR)
Weight	0,1 kg (L 414) 0,32 kg (L 414 SR)	0,45 kg (L 4100) 0,65 kg (L 4100 SR)
Optional accessories	priority relais NRS 90192 für L 414	priority relais NRS 90192 für L 4100

# Accessories

## LOUDSPEAKER ACCESSORIES

■ **The CPS series is mounted by fitting the group radiators into the wall fixture WH 103.**

This guarantees that the devices are mounted in such a way as to permit both horizontal (pan) and vertical (tilt) movement. The amount of tilt can be set in 4-degree increments from 0 to 12 degrees.

With the help of the MB 212 U-shaped mounting bracket, the D 12 box can be wall- or ceiling-mounted in either a horizontal or a vertical position. MB 112 eyelets can be attached to three flying points in order to suspend the loudspeakers individually or in pairs to create a vertical cluster. For the horizontal arraying of multiple loudspeakers, the MB 312 cluster plate is required. This and also the eyelets are in each case attached to the U-shaped bracket.

General	MB 212 / MB 212 W	MB 312 / MB 312 W
Color	black / white (RAL 9010)	black / white (RAL 9010)

■ **These components make it possible to mount the D 12 on the walls or ceilings in such a way as to permit horizontal rotation.**

The basic MB 200 UMH yoke is combined with a TMA attachment to permit tilting in 5-degree increments, an RMA rotation plate for swivel-mounting to wall or ceiling, as well as a TC-02 clamp for attachment to trusses 43-50mm in diameter.

General	MB 200 UMH	TMA
Color	black	black

General	RMA	TC-02
Color	black	black



## AMERICAS

### HEADQUARTERS AMERICAS

Bosch Security Systems, Inc.

12000 Portland Ave South,

Burnsville, MN 55337, USA

USA-Ph: 1 800 392 3497

Fax: 1 800 955 6831

Canada-Ph: 1 866 505 5551

Fax: 1 866 336 8467

Latin America-Ph: 1 952 887 5532

Fax: 1 952 736 4212

## EMEA

### HEADQUARTERS EUROPE, MIDDLE -EAST & AFRICA

Bosch Sicherheitssysteme GmbH

Robert-Koch-Strasse 100

85521 Ottobrunn, Germany

Contact & Visitor Address

EVI Audio GmbH

Hirschberger Ring 45

94315 Straubing, Germany

Phone: +49 9421 706 0

Fax: +49 9421 706 265

### FRANCE

EVI Audio France S.A.S

Phone: +33 1 6480 0090

Fax: +33 1 6006 5103

### MIDDLE EAST

Robert Bosch Middle East FZE

Phone: +97 14 212 3300

Fax: +97 14 212 3388

## ASIA & PACIFIC

### HEADQUARTERS APR

Robert Bosch (SEA) Pte Ltd

38 C Jalan Pemimpin

Singapore 577180

Phone: +65 6319 0616

Fax: +65 6319 0620

### AUSTRALIA

Bosch Security Systems Pty Ltd

Phone: +61 2 9683 4752

Fax: +61 2 9890 5928

### CHINA

Telex EVI Audio

(Shanghai) Co., Ltd.

Phone: +86 21 6317 2155

Fax: +86 21 6317 3025

### INDIA

Bosch Limited

Phone: +91 80 4176 8378

Fax: +91 80 4176 8263

### JAPAN

EVI Audio Japan

Phone: +81 3 5316 5020

Fax: +81 3 5316 5030

### THAILAND

Robert Bosch Limited

Phone: +662 639 3111

Fax: +662 631 2030

© Bosch Security Systems, Inc. · Art.Nr. D160072 · Printed in Germany (ERD/DR) · 3500/03/09 · Subject to change without prior notice!  
www.dynacord.de